



SERVICE BULLETIN



EMEA Replacement Components Division

Number: ERCD 14/2011	Date: 04/05/2011	Supersedes: ERCD 15/2011
Title: 30RW WATER PUMP INCLUDING DRIVE PHASED OUT <u>WITH PRICING UPDATE</u>		
Author: PICCIOLI Pierre / B de Jocas	Dept: EMEA Replacement Components Division	
Category: Information		
Dealer Bulletin Number:		

Subject: **30RW WATER PUMP INCLUDING INTEGRATED DRIVE PHASED OUT**

Dear All,

As you know, water pumps including micromaster integrated drive have been phased out by the supplier Salmson / Wilo.

Single water pumps with variable speed controller :

Either if water pump **OR** its integrated drive are out of order, both water pump and drive must be replaced.

New software* will have to be downloaded.

Twin water pumps with variable speed controller :

Either if water pump **OR** its integrated drive are out of order, both twin water pump and drives must be replaced.

New software* will have to be downloaded.

It is not possible to mix an old variable speed controller with the new one version into the same unit.

***Software version :**

CSA-SR-20B45040 (30RW version 4.0)

This software version 4.0 can be uploaded through Carrier Extranet Web site

1 - Solution : ERCD has been working on defining a solution in order to be able to continue to propose these items to our customers.

As a result, we are now proposing the water pumps without drive and an external drive with support and cables.

Please find below the references managed by ERCD regarding unit size and the new pricing of these components, for immediate application



SERVICE BULLETIN



EMEA Replacement Components Division

SINGLE CONDENSER WATER PUMP								
30RW Unit size	Obsolete water pump model (including drive)	=	A - New water pump model (without drive)	+	B - Drive with support and cables	+	C - Hydraulic piping kit	Variance
20	30RW-500---022--EE	=	30RW-500---012--EE	+	00PSG001378100A	+	No modification	0%
25								
30								
40								
45								
60	30RW-500---022--EE	=	30RW-500---012--EE	+	00PSG001378200A	+	No modification	0%
70								
80								
90	30RW-500---062--EE	=	30RW-505---432--EE	+	00PSG001378300A	+	No modification	-9%
110								
120								
135	30RW-500---062--EE	=	30RW-505---432--EE	+	00PSG001378400A	+	No modification	-9%
150								
160	30RW-500---072--EE	=	30RA-511---552--EE	+	00PSG001378500A	+	00PSG001375300A	N/A
185								
210	30RW-500---072--EE	=	30RA-511---552--EE	+	00PSG001378500A	+	00PSG001375300A	N/A
245								
275								
300	30RW-500---072--EE	=	30RA-511---552--EE	+	00PSG001378500A	+	00PSG001375300A	N/A

New pricing for immediate application

Your standard multiplier need to be apply on the list price inducted below to obtain your purchasing price

	New List Price EXW EUROS
30RW-500---012--EE	1 219,99
30RW-505---432--EE	2 198,06
30RA-511---552--EE	2 434,50
00PSG001378100A	4 218,32
00PSG001378200A	4 218,32
00PSG001378300A	5 114,29
00PSG001378400A	5 114,29
00PSG001378500A	4 857,14
00PSG001375300A	2 783,06

This new pricing will result in a price decrease of the new solution versus the oldest one, in order to maintain competitiveness on our products.



SERVICE BULLETIN



EMEA Replacement Components Division

TWIN CONDENSER WATER PUMP								
30RW Unit size	Obsolete water pump model (including drive)	A - New water pump model (without drive)		B - Drive with support and cables	C - Water piping kit	Variance		
60	30RW-500---082--EE	30RW-505---442--EE	(2x)	00PSG001378600A	00PSG001373900A	0%		
70								
80								
90	30RW-500---092--EE	30RW-505---452--EE	+	(2x)	00PSG001378700A	+	No modification	N/A
110								
120								
135								
150	30RW-500---092--EE	30RW-505---452--EE	(2x)	00PSG001378800A	No modification	N/A		
160								
185								
210	30RW-500---102--EE	30RA-511---562--EE	(2x)	00PSG001378900A	00PSG001375200A	34%		
245								
275								
300								

New pricing for immediate application

Your standard multiplier need to be apply on the list price inducted below to obtain your purchasing price

	New List Price EXW EUROS
30RW-505---442--EE	2 898,81
30RW-505---452--EE	3 704,08
30RA-511---562--EE	3 949,58
00PSG001378600A	4 561,48
00PSG001378700A	5 184,87
00PSG001378800A	5 184,87
00PSG001378900A	5 936,51
00PSG001373900A	1 692,86
00PSG001375200A	1 848,21



SERVICE BULLETIN

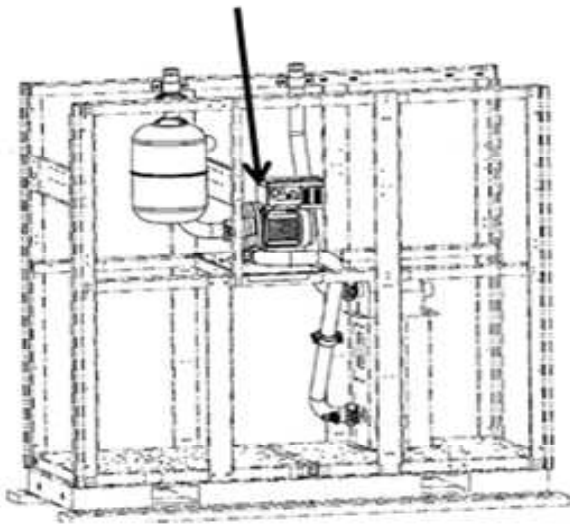


EMEA Replacement Components Division

2 – Mounting drawing :

OLD MOUNTING

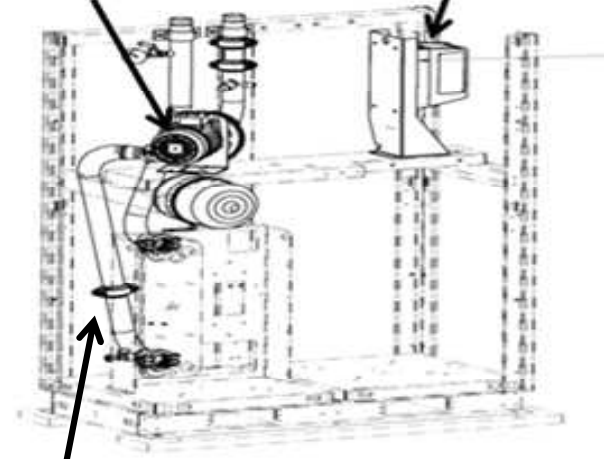
Obsolete
water pump model
(including drive)



NEW MOUNTING

A - New
water pump
model
(without
drive)

B - Drive with
support and
cables



C - New Hydraulic piping kit

Caution : Location and installation of the external drive must be done in the most appropriate place into the unit.



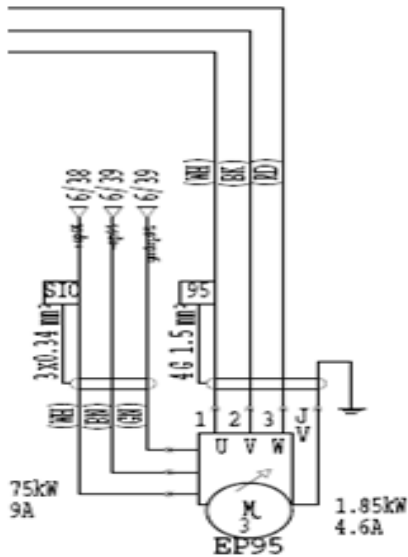
SERVICE BULLETIN



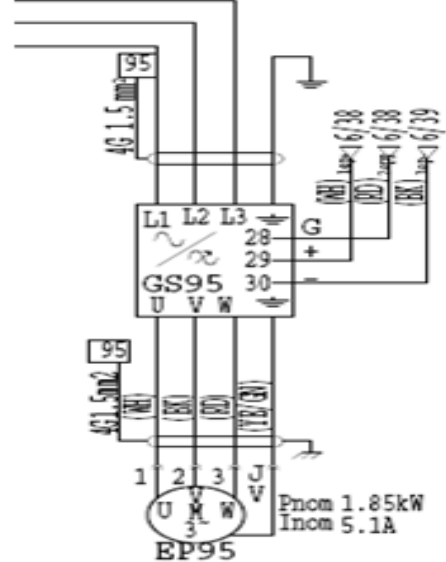
EMEA Replacement Components Division

3 - Wiring diagram :

OLD WIRING DIAGRAM



NEW WIRING DIAGRAM



Should you have any question, do not hesitate to contact your customer representative team.

Best regards, ERCD team.